

## MDI 13/6 T4 0,12kW (300717900)

### GENERAL DATA



#### MEDIUM PRESSURE FAN WITH FORWARD IMPELLER AND IN STAINLESS STEEL CONSTRUCTION

##### MANUFACTURING FEATURES:

- Welded stainless steel AISI 304 housing.
- Stainless steel simple inlet forward curved impeller.
- Standard asynchronous squirrel-cage motor with IP-55 protection and Class F insulation. Manufactured with standard voltages: 230V 50Hz for single phase motors, 230/400V 50Hz for three phase motors.

- Available positions (to be indicated in case of order): LG270, LG0, LG45, LG90, LG135, LG180, LG225, LG315, RD0, RD45, RD90, RD135, RD180, RD225, RD270, RD315.
- The indicated codes correspond to the model in position LG270.

##### APPLICATIONS:

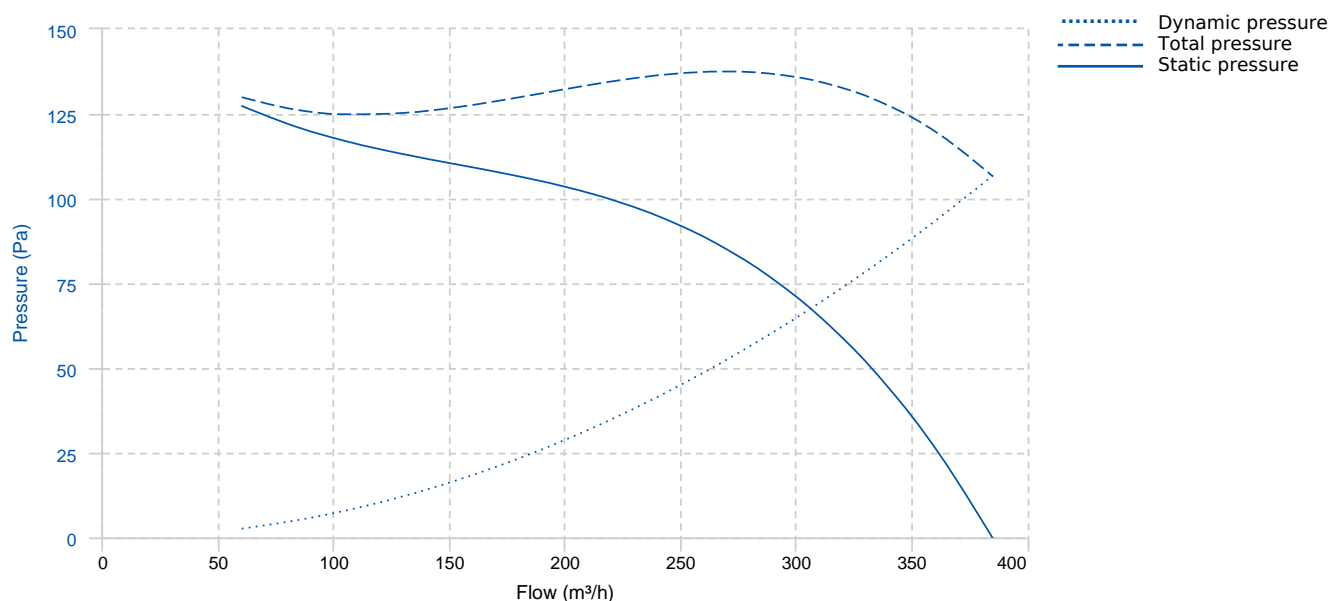
Designed for inline installation, they are suitable for:

- Industrial applications, extraction or injection of air.
- Cooling of machines and parts.
- Clean air transport.
- Corrosive air transport.
- Maximum working temperature: carried air: 130°C, ambient: 1ph 50°C, 3ph 60°C.

##### UNDER REQUEST:

- 60Hz fans and special voltages.
- 2 speed motors (three phase motors).

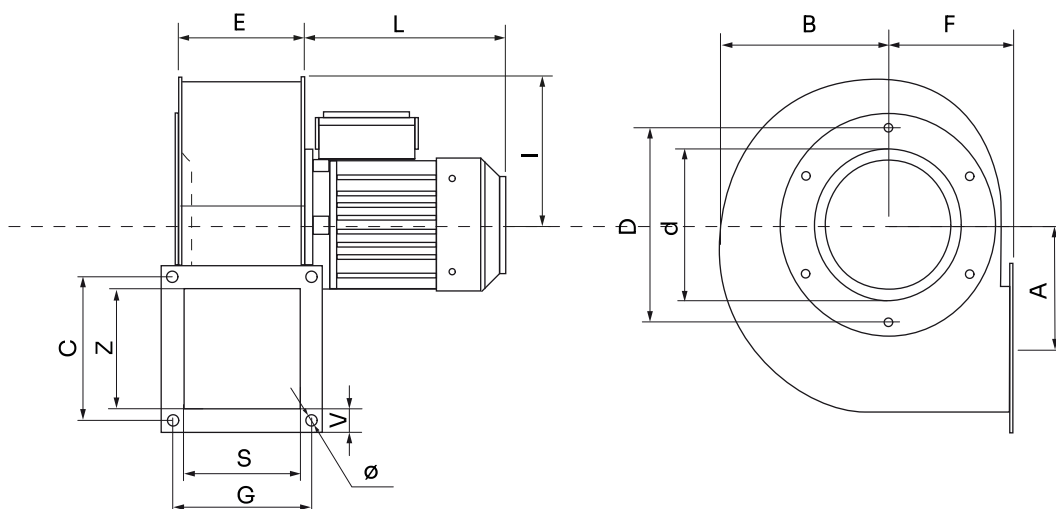
### PERFORMANCE CURVE



## TECHNICAL DATA

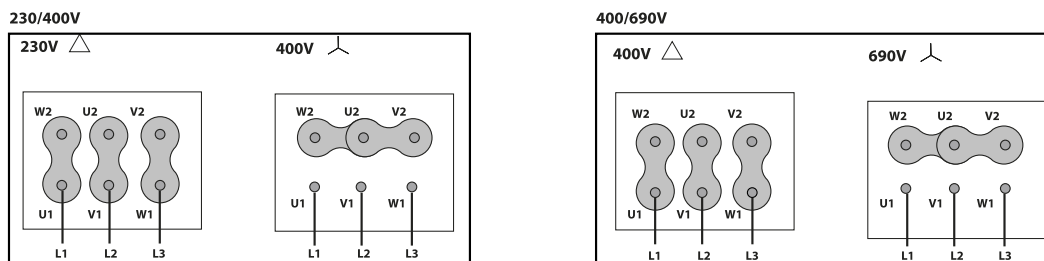
Fan							
RPM	1400	Approx. weight	4.9 kg	Max. Flow	380 m <sup>3</sup> /h		
Motor							
Power	0,12 kW	RPM	1400	I max. (230V)	0,8 A	I max. (400V)	0,46 A
Size	63	Approx. weight	4 kg				

## DIMENSIONS



Dimensions (mm)									
A	92	B	125	C	110	D	158	E	92
F	104	G	110	I	110	L	190	S	90
V	20	Z	90	d	101	Ø	9x16		

## WIRING DIAGRAM



## ACCESSORIES



**SAFETY SWITCH**  
**INT 25 3P A**  
**REF: INT253PA**



**STAINLESS STEEL INLET PROTECTION GUARD**  
**FOR CENTRIFUGAL FANS**  
**RAI 13/8-13/6**  
**REF: 300716502**



**FREQUENCY SPEED CONTROLLER**  
**SFC 230 I 2,5A \***  
**REF: SFC230I003**



**FREQUENCY SPEED CONTROLLER**  
**SFC 400 III 1,2A \***  
**REF: SFC400III1**



**ACOUSTIC CABINS FOR CENTRIFUGAL FANS**  
**AB (GENERIC)**

## SPARE PARTS

	Code	Model	Qty
4	721001113	MOTOR 0,12kW T4 B5 230/400V	x1